

Gaming

Golden Tee Home Edition Manual and DIP Switch Settings

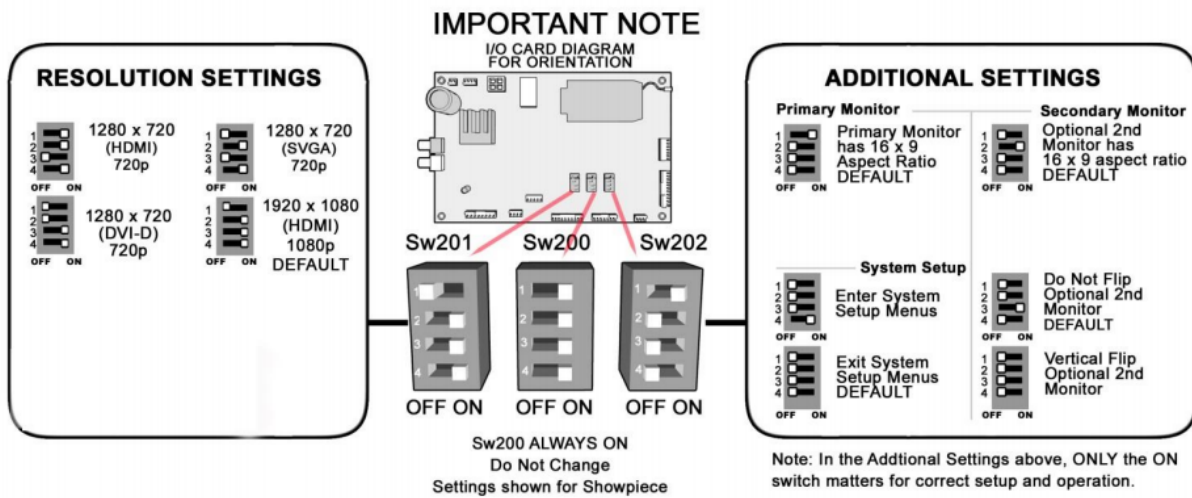
See attached Golden Tee Home Edition manual.

DIP switches for the IO board are as follows:

DIP Switch Settings for HDTVs

The DIP switch settings in your Showpiece cabinet have been factory set to accommodate a 1080p HDTV connected through HDMI cables. DIP switch bank Sw201 on the I/O Board controls the video resolution for the main monitor. If using a DVI-D or VGA connection, or for different resolutions such as 720p, use this chart:

HDTV MONITOR APPLICATION



Notes:

A reboot is required when changing resolutions

Video and audio connections to HDTVs vary, and may require additional cables not included with the Showpiece cabinet. Also, some displays may not support the resolution needed for your game. Check your display's manual for additional information.

Unique solution ID: #1004

Author: n/a

Last update: 2024-10-23 18:00